



# Product Specification

**Ningbo East Electronics Limited**  
NO. 88 East Jinhui Road, Yinzhou Ningbo 315100, P.R.China  
<http://www.east-mingtao.com>

Product Name:	High-Output Speaker
Part Number:	W-22L1
Version:	1.03
Date:	2019-10-17
Note:	

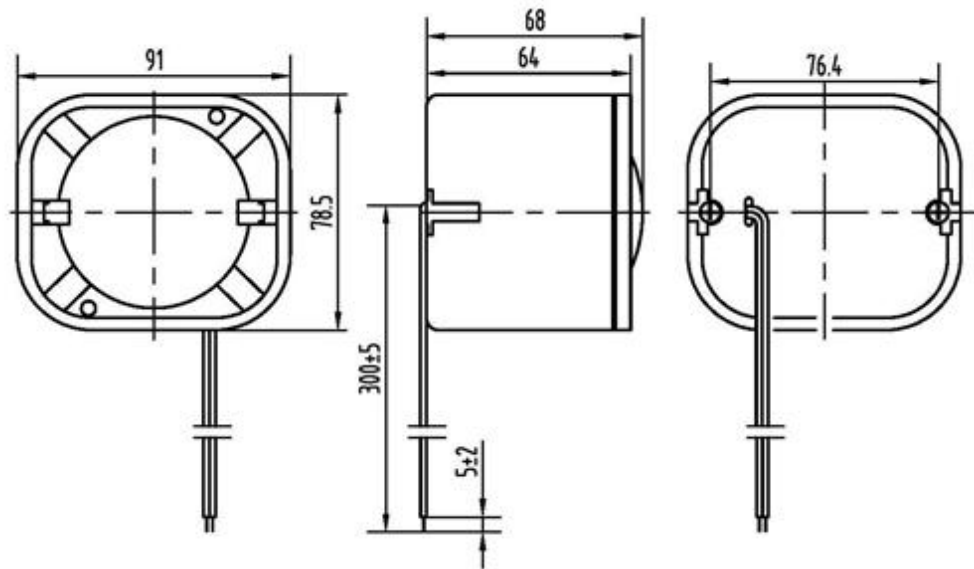
**East is an ISO 9001 , IATF16949 and ISO 14001 Certified Company**

## Revision History

Rev.	Description	Author/Date	Checked By	Approver
1.03	Quality management system revised	汤礼东 2019-10-17	吕文斌	王建成
1.02	Quality Certificate Symbol revised	刘宁 2015-2-12	汤礼东	王建成
1.01	Dimension change from 500 to 300	陈启旺 2013-4-12	汤礼东	王建成

## 1. Part Number W-22L1

## 2. Dimension Drawing (Unit: mm)



## 3. Specification

No.	Item	Specification
3-1	Min. Sound Pressure Level	100~115dB/12V <sub>DC</sub> /100cm
3-2	Rated Voltage	12V <sub>DC</sub>
3-3	Operating Voltage	6~15V <sub>DC</sub>
3-4	Max. Consumption	1000mA/12V <sub>DC</sub>
3-5	Tone Nature	Single
3-6	Operating Temperature	-40~+85°C
3-7	Case Material/Color	PA6/Black
3-8	Weight	250g

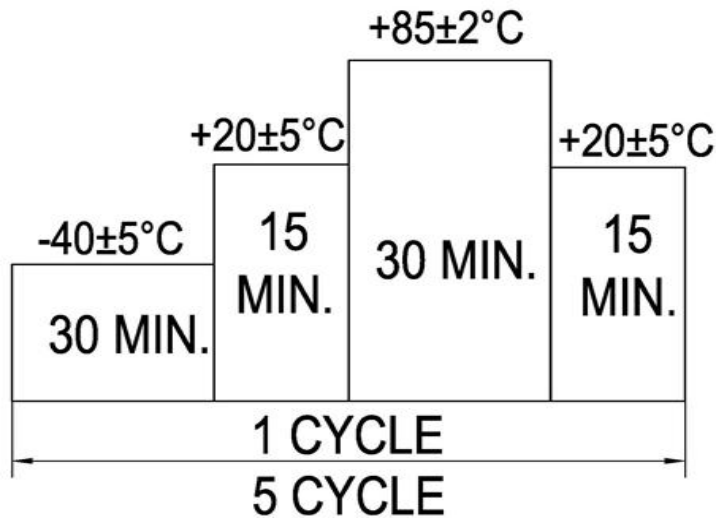
### NOTES:

Test should be made under the conditions of room temperature (20±10°C), normal humidity (60±20%) and normal atmospheric pressure. In this case, however, that the judgment is questionable, the test conditions are to be changed to room temperature 20±2°C, relative humidity 60~70% and normal atmospheric pressure

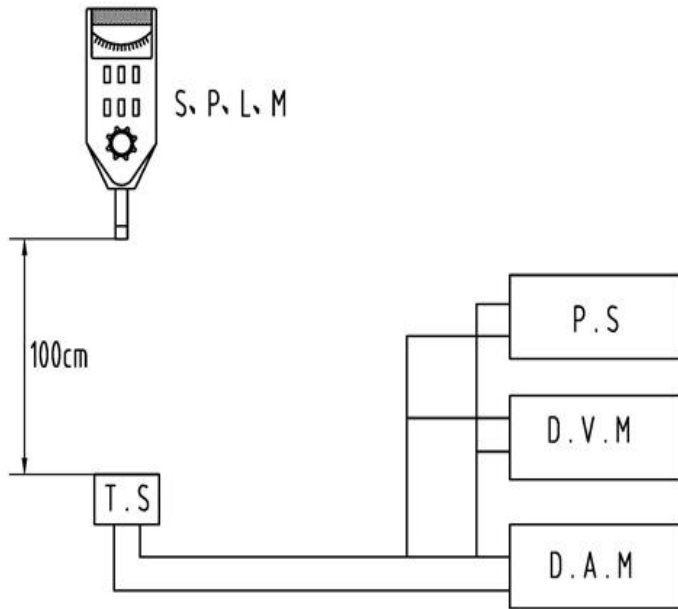
#### 4. Reliability Test

No.	Item	Method of Test	Tolerance after Testing
4-1	Operating Temperature	-40~+85°C	Sound pressure level initial value $\pm 10\text{dB}$  Max. consumption value $\pm 20\%$
4-2	Storage in high temperature	Storage in +85°C test box 96 hours then exposed to the room temperature for 2 hours	
4-3	Storage in low temperature	Storage in -40°C test box 96 hours then exposed to the room temperature for 2 hours	
4-4	Life test in the room temperature	Operate the product continuously 5 seconds on 5 seconds off 96 hours at rated voltage	
4-5	Temperature / humidity cycle test	Storage in +40°C, 93 $\pm$ 3%RH test box 96 hours then exposed to the room temperature for 2 hours	
4-6	Temperature (high and low) cycle test	Conduct the test for 5 cycles without applying power then expose to the room temperature for 2 hours.(See Figure 4-6)	
4-7	Vibration test	Conduct the test for the directions of X Y and Z for 0.5 hour each (total 1.5 hours). To-and Fri sweep time(from 10 to 55Hz and then 55 to 10) under single amplitude of 0.75mm is 3 minute, then expose to the room temperature for 2 hours	
4-8	Drop test	Drop a product naturally from the height of 700mm onto the surface of 100mm thick wooden board. Two directions: upper and side of the product are to be applied for this drop test once respectively	

Figure 4-6



## 5. Electrical Testing Method



S.P.L.M	Sound Pressure Level Meter
T.S	Testing Sample
P.S	Power Supply
D.V.M	DC Voltage Meter
D.A.M	DC Ampere Meter

## 6. Packing Information

**Packing: 24 pcs per export carton**

**Carton Size: 46× 34× 25 cm**

**G. Weight: 7.5 kgs N. Weight: 6.0 kgs**