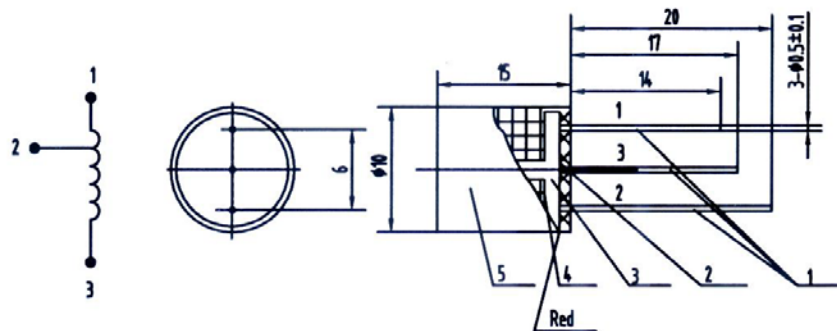


**SPECIFICATION OF ELB-48**

Rev.2

**ELECTRICAL SPECIFICATIONS:**

Part Number	ELB-48	
Pin's Material & Length (mm)	$\phi 0.5$ D. Cu /Sn	1 14 3 17 2 20
Ferrite Core Permeability (u)	RIK 2K 10×13	
Testing Frequency (Hz)	100	
DC Resistance ( $\Omega$ )	$R_{12} \leq 20$	$R_{23} \leq 35$
Inductance (mH)	$L_{12} = 9 \pm 0.5$	$L_{23} = 16 \pm 1$
Coil Circle Number	$N_{12} = 475$	$N_{23} = 650$
Coiling Sealing	Collating, Thermoplastic Sealing	
Wire Connection	1. Connect With “+” Electrode 2. Connect With V1 Collector Electrode 3. Connect With The Disc	
Operating Temperature ( $^{\circ}\text{C}$ )	-20~+70	
Color of Thermoplastic	White	

**Dimensions (unit: mm):**


Address: No.88 Jinhui East Road, Yinzhou, Ningbo, 315104 P. R. China  
 Sales Tel: +86-574-87809820(International)/87805605(Domestic)  
 Fax: +86-574-87803761