



Product Specification

Ningbo East Electronics Limited
NO. 88 East Jinhui Road, Yinzhou Ningbo 315100, P.R.China
<http://www.east-mingtao.com>

Product Name:	High-Output Piezo Alarm Transducer
Part Number:	TFM-30
Version:	1.03
Date:	2019-8-20
Note:	UTC P/N: 0000-3067

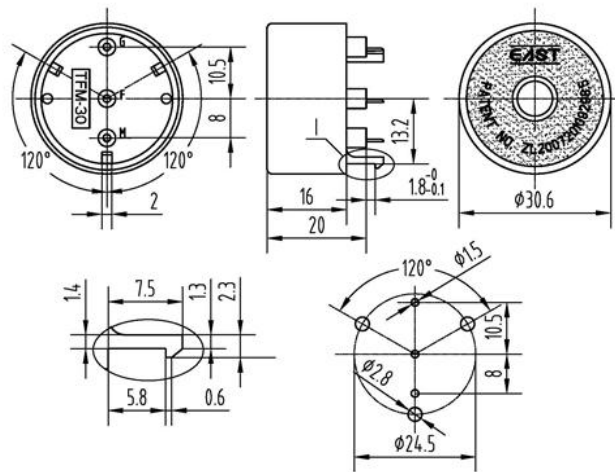
East is an ISO 9001 , IATF16949 and ISO 14001 Certified Company

Revision History

Rev.	Description	Author/Date	Checked By	Approver
1.03	Quality management system revised	汤礼东 2019-8-20	吕文斌	王建成
1.02	Quality Certificate Symbol revised	刘宁 2015-2-12	汤礼东	王建成
1.01	Add the Silver Electrode Thickness	吴磊 2013-5-7	张春雷	王建成

1. Part Number TFM-30

2. Dimension Drawing (Unit: mm)



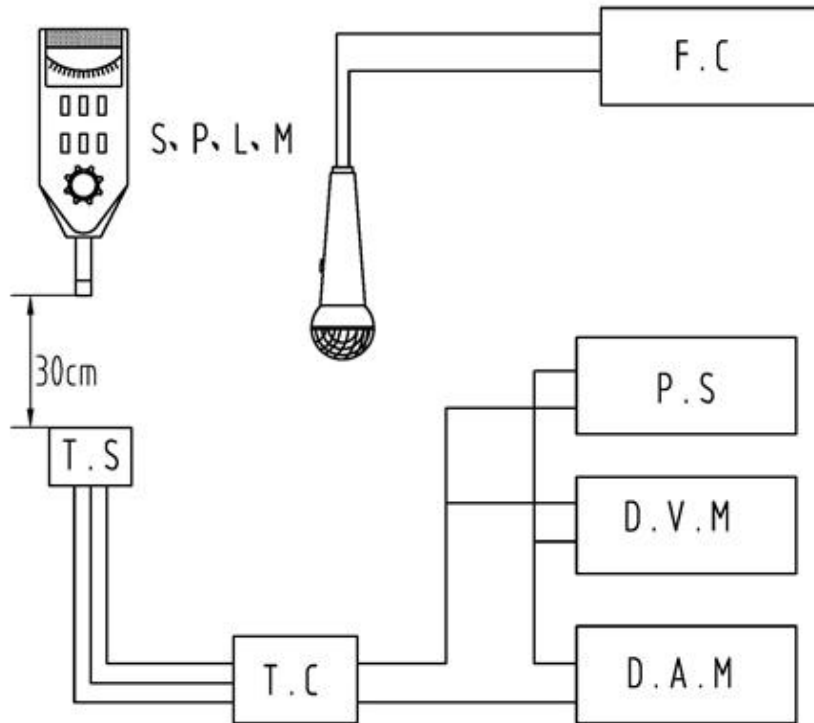
3. Specification

No.	Item	Specification
3-1	Min. Sound Pressure Level	95dB/9V _{DC} /30cm
	Min. Sound Pressure Level	85dB/9V _{DC} /290cm
3-2	Rate Voltage	9V _{DC}
3-3	Operating Voltage	3~14V _{DC}
3-4	Max. Consumption	70mA/9V _{DC}
3-5	Oscillating Frequency	2.9~3.4kHz
3-6	Tone Nature	Continuous
3-7	Operating Temperature	-40~+85°C
3-8	Case Material /Color	PA-757 (ABS)/Black
3-9	Weight	6.3g
3-10	Pin Strength	More Than 10N
3-11	Silver Electrode Thickness	5±2um

NOTES:

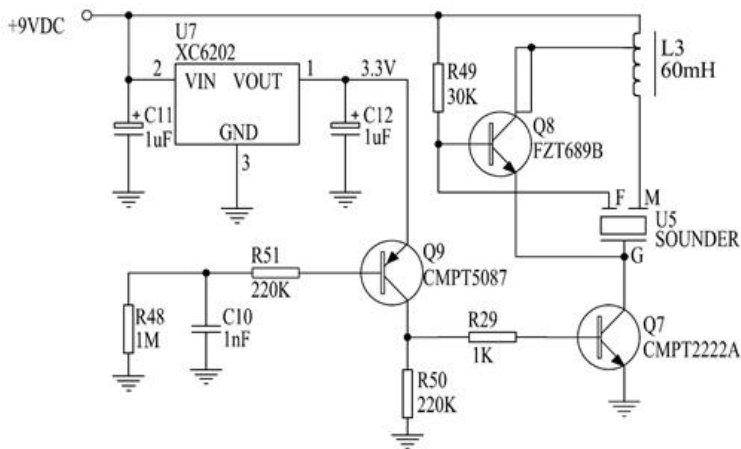
Test should be made under the conditions of room temperature (20±10°C), normal humidity (60±20%) and normal atmospheric pressure. In this case, however, that the judgment is questionable, the test conditions are to be changed to room temperature 20±2°C, relative humidity 60~70% and normal atmospheric pressure

4. Electrical Testing Method



S.P.L.M	Sound Pressure Level Meter
T.S	Testing Sample
F.C	Frequency Counter
P.S	Power Supply
T.C	Test Circuit
D.V.M	DC Voltage Meter
D.A.M	DC Ampere Meter

Test Circuit:



5. Packing Information

Packing: 1152pcs per export carton

Carton Size: 47× 30.5× 35 cm

G. Weight: 9.5 kgs N. Weight: 7.0 kgs