



Product Specification

Ningbo East Electronics Limited
NO. 88 East Jinhui Road, Yinzhou Ningbo 315100, P.R.China
<http://www.east-mingtao.com>

Product Name:	Inductor
Part Number:	ELB-80
Version:	1.01
Date:	2019-6-11
Note:	

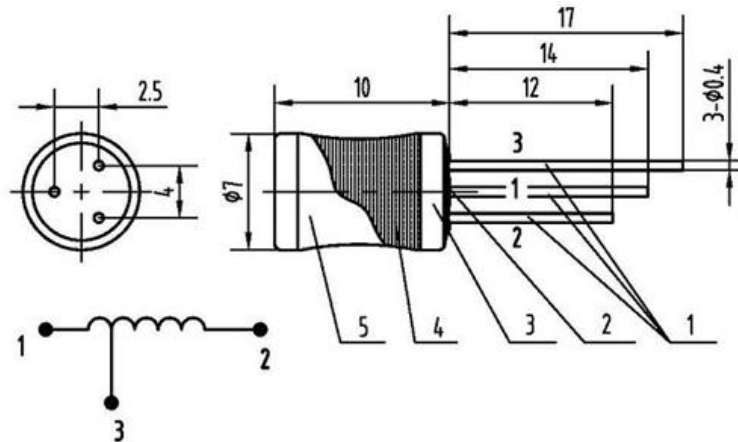
East is an ISO 9001 , IATF16949 and ISO 14001 Certified Company

Revision History

Rev.	Description	Author/Date	Checked By	Approver
1.01	Quality management system revised	汤礼东 2019-6-11	吕文斌	王建成
1.0	Released	吴磊 2014-2-26	张春雷	王建成

1. Part Number ELB-80

2. Dimension Drawing (Unit: mm)



NO	1	2	3	4	5
NAME	PIN	EPOXY	FERRITE CORE	COIL	THERMOPLASTIC
QUANTITY	3		1		1

3. Specification

No.	Item	Specification
3-1	Pin's Material / Plating	Cu/Sn
3-2	Testing Frequency	1000Hz
3-3	Coil Quality	$\geq 3(L_{12})$
3-4	DC Resistance	$R_{13} \leq 40\Omega$ $R_{12} \leq 190\Omega$
3-5	Inductance	$L_{13} = 6.5 \pm 0.5\text{mH}$ $L_{12} = 80 \pm 5\text{mH}$
3-6	Coil Circle Number	$N_{13} = 470$ $N_{12} = 1242$
3-7	Coil Dimension	$\Phi 0.05$
3-8	Coiling Sealing	Collating, Thermoplastic Sealing
3-9	Operating Temperature	$-20 \sim +70^\circ\text{C}$

4. Packing Information

TBD