



Product Specification

Ningbo East Electronics Limited
NO. 88 East Jinhui Road, Yinzhou Ningbo 315100, P.R.China
<http://www.east-mingtao.com>

Product Name:	Inductor
Part Number:	ELB-74
Version:	1.02
Date:	2019-10-17
Note:	

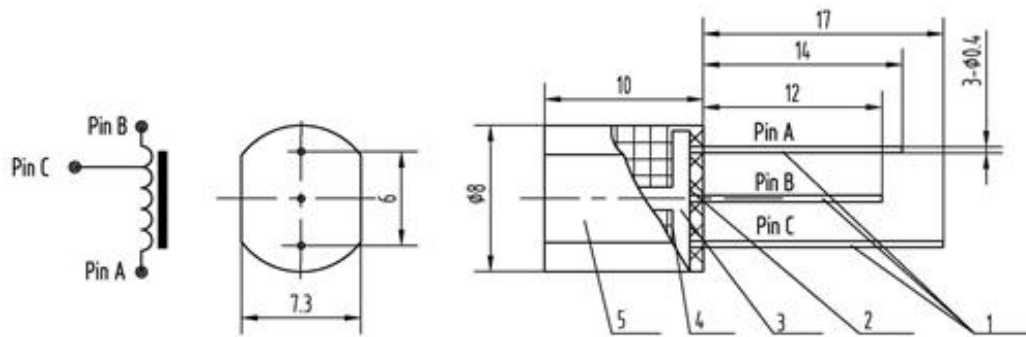
East is an ISO 9001 , IATF16949 and ISO 14001 Certified Company

Revision History

Rev.	Description	Author/Date	Checked By	Approver
1.02	Quality management system revised	汤礼东 2019-10-17	吕文斌	王建成
1.01	The shape diagram marks to change	吕文斌 2014-12-1	汤礼东	王建成
1.0	Released	陈启旺 2012-4-16	汤礼东	王建成

1. Part Number ELB-74

2. Dimension Drawing (Unit: mm)



NO	1	2	3	4	5
NAME	PIN	EPOXY	FERRITE CORE	COIL	THERMOPLASTIC

3. Specification

No.	Item	Specification
3-1	Pin's Material	$\Phi 0.4$ Cu/Sn
3-2	Testing Frequency	1000Hz
3-3	Coil Quality	≥ 3.5
3-4	DC Resistance	$R_{ab} \leq 130\Omega$ $R_{bc} \leq 40\Omega$
3-5	Inductance	$L_{ab} = 74 \pm 2$ mH $L_{bc} = 13 \pm 1$ mH
3-6	Coil Circle Number	1350
3-7	Coil Dimension	$\Phi 0.08$
3-8	Coiling Sealing	Collating, Thermoplastic Sealing
3-9	Operating Temperature	-20~+70°C
3-10	Weight	2g

4. Packing Information

Packing: 6000 pcs per export carton

Carton Size: 30.5×23.5×19 cm

G. Weight: 13.5 kgs N. Weight: 12 kgs