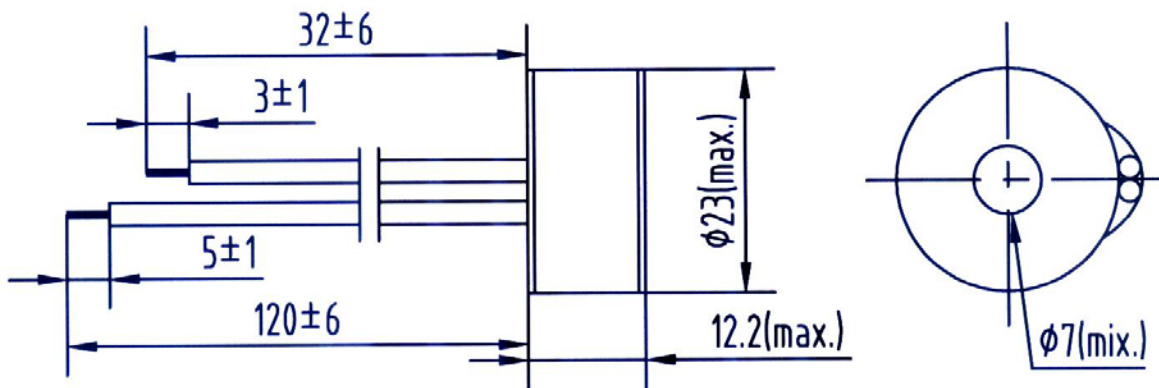


**SPECIFICATION OF ELB-5966**

Rev.1

**ELECTRICAL SPECIFICATIONS:**

<b>Part Number</b>		ELB-5966
<b>Resistance</b>	( $\Omega$ )	18.5 $\pm$ 5%
<b>Coil Circle Number</b>		960 $\pm$ 1%
<b>Coil Dimension</b>	(mm)	$\Phi$ 0.23
<b>Testing Frequency</b>	(Hz)	100
<b>Wire Standard/Color</b>		UL1007-22AWG (7 $\times$ 0.254)/Black

**Dimensions (unit: mm):**

Address: No.88 Jinhui East Road, Yinzhou, Ningbo, 315104 P. R. China  
Sales Tel: +86-574-87809820(International)/87805605(Domestic)  
Fax: +86-574-87803761